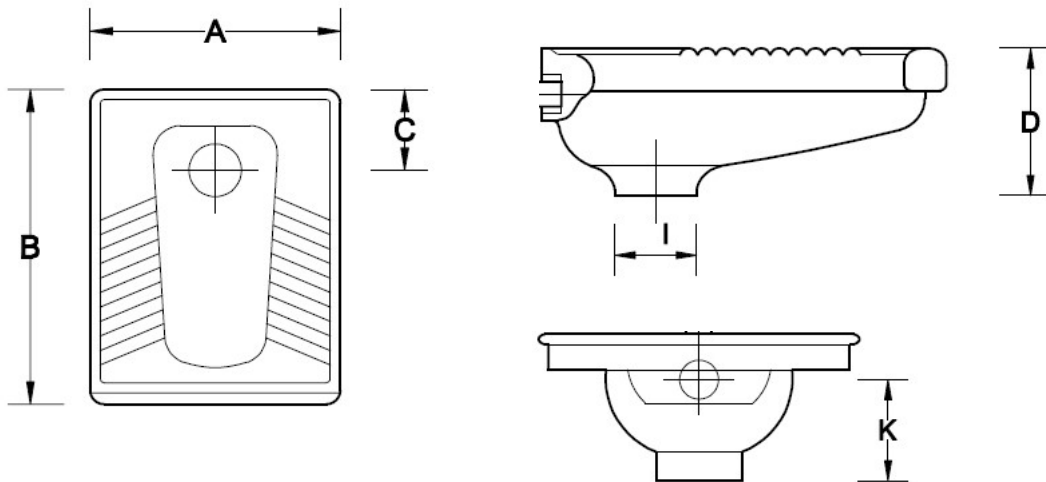




SPECIFICATION SHEET



A	B	C	D	I	K
450	565	160	215	110	155

Manufacturer	EC DESIGN
Model	SQUATTING PAN
Description	SQUATTING PAN WITH CONCEALED WATER INLET HOLE
Finish	WHITE
Article Code	EC-S PAN