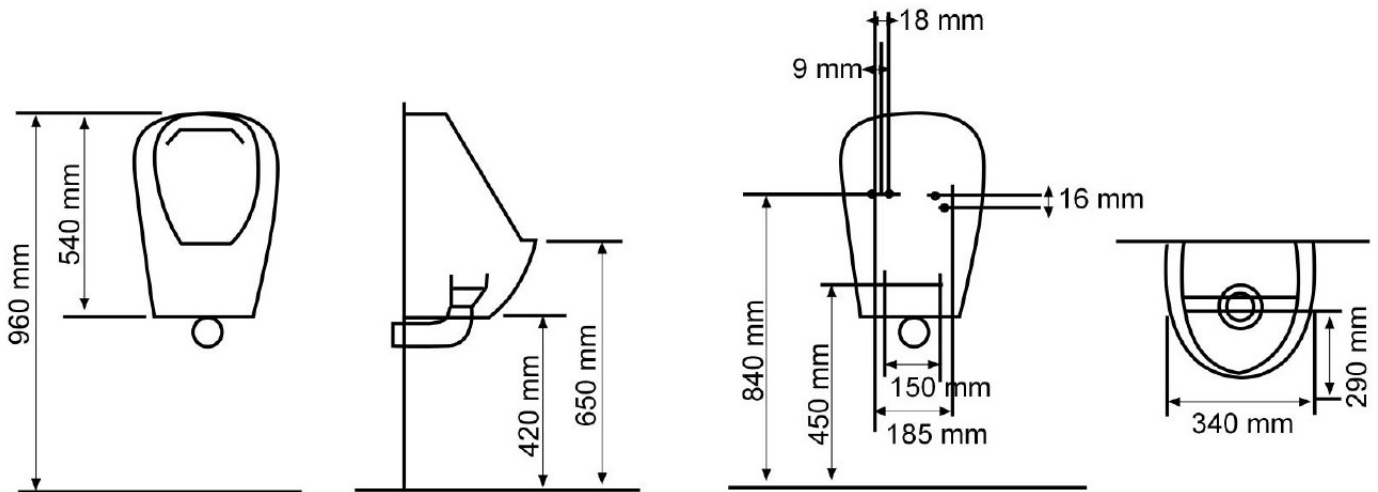




SPECIFICATION SHEET



Manufacturer	ENSWICO-GERMANY
Model	WATERLESS URINAL
Description	VITREOUS CHINAL WATERLESS URINAL
Finish	WHITE
Article Code	402 000