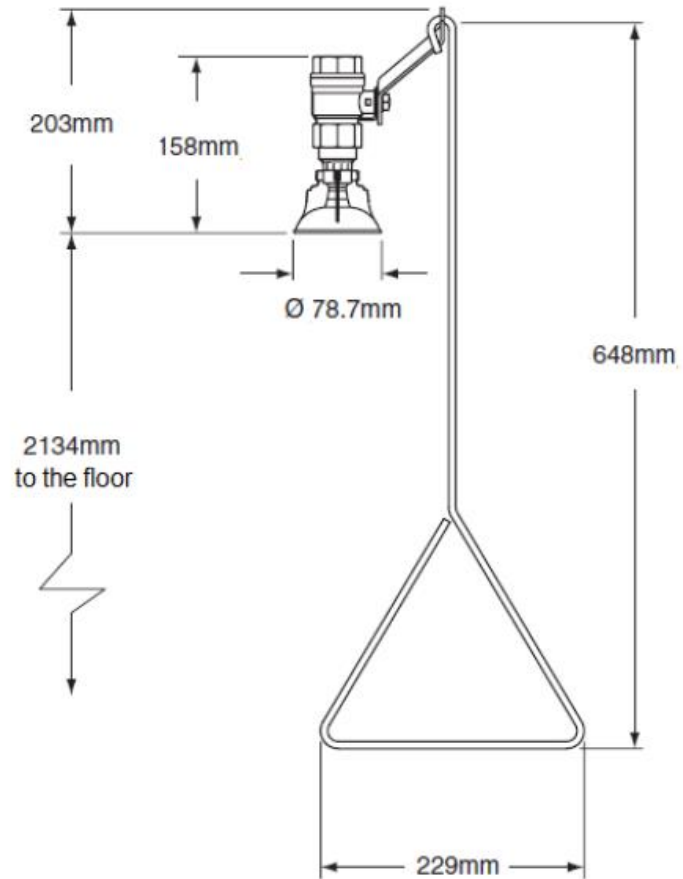




SPECIFICATION SHEET



Manufacturer	MEDICLINICS-SPAIN
Model	DRENCH SHOWER
Description	DRENCH SHOWER
Finish	GALVANIZED STEEL YELLOW COATING
Article Code	S19-130