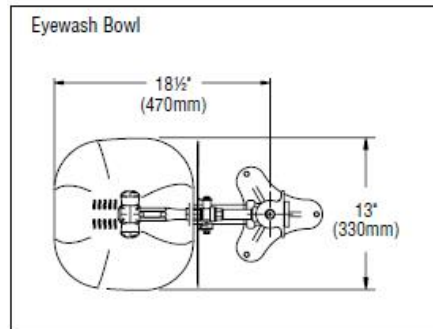
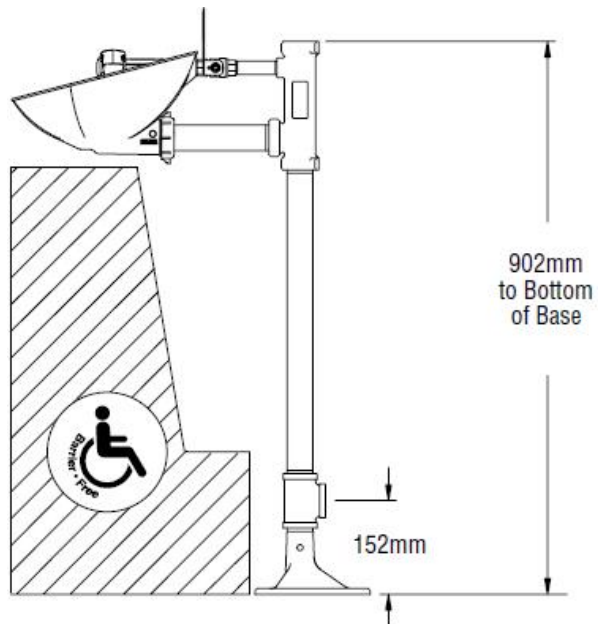




## SPECIFICATION SHEET



**S05-190**  
Sprayhead assembly

<b>Manufacturer</b>	MEDICLINICS-SPAIN
<b>Model</b>	EYEWASH
<b>Description</b>	PEDESTAL-MOUNTED EYEWASH
<b>Finish</b>	GALVANIZED STEEL YELLOW COATING
<b>Article Code</b>	S19214EWZ