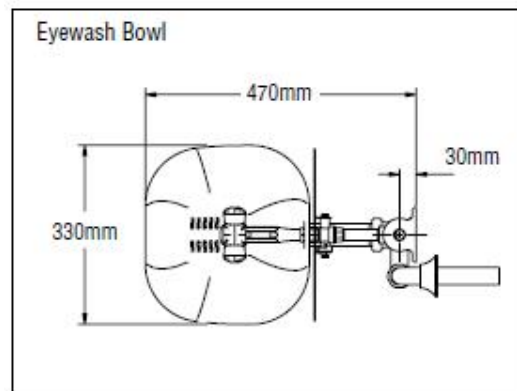
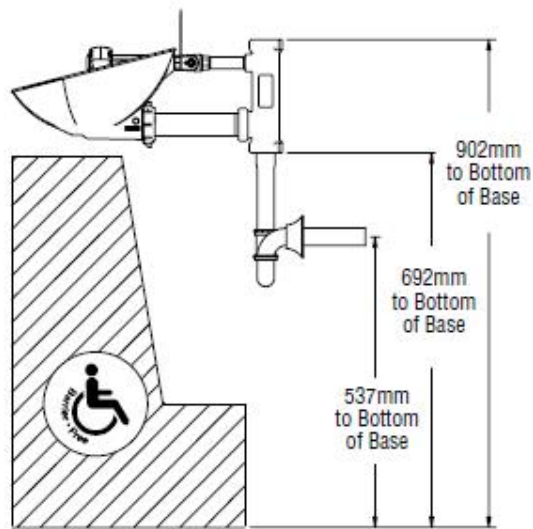




SPECIFICATION SHEET



S05-192

Sprayhead assembly

Manufacturer MEDICLINICS-SPAIN

Model EYE/FACEWASH

Description EYE/FACEWASH

Finish GALVANIZED STEEL YELLOW COATING

Article Code S19224FWZ