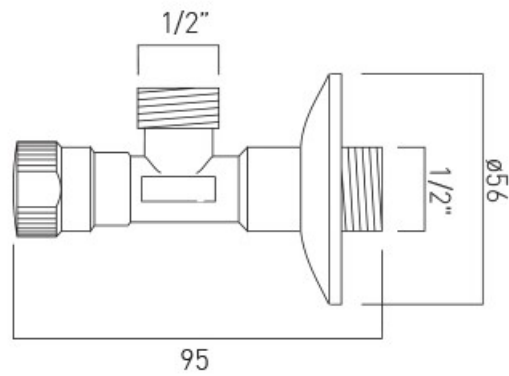




الركن الأوروبي ش.ذ.م.م.  
EUROPEAN CORNER L.L.C

Al Wadi Building, Sheikh Zayed Road  
P. O. Box 31840, Dubai  
United Arab Emirates  
Showroom Tel: +971 4 3356315  
Office Tel: +971 4 3360601  
Fax: +971 4 3360604  
E-mail: gm@europeancorner-dubai.com

## SPECIFICATION SHEET



Manufacturer	SCHLOESSER-GERMANY
Description	1/2" X 1/2" ANGLE VALVE
Finish	CHROME
Article Code	7111