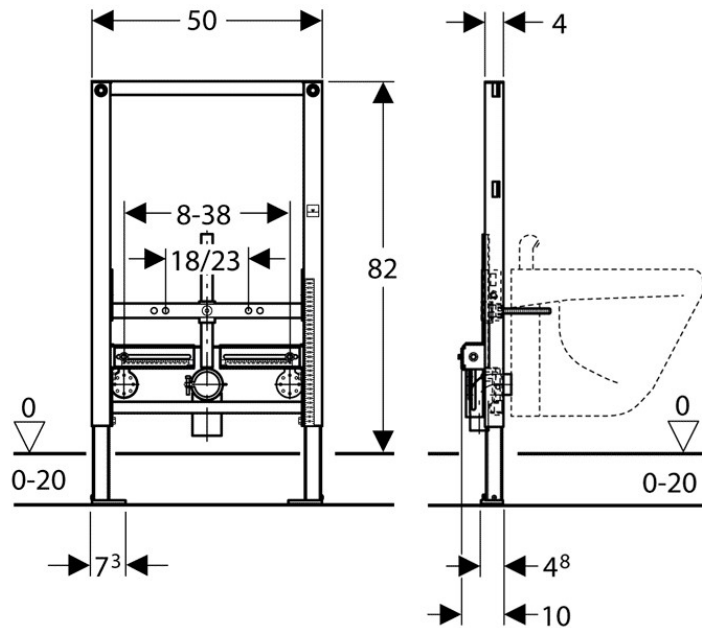




SPECIFICATION SHEET



Manufacturer	GEBERIT-GERMANY
Model	
Description	DUOFIX ELEMENT FOR BIDET, CONSTRUCTION HEIGHT 82 CM.
Finish	
Article Code	111.524.00.1