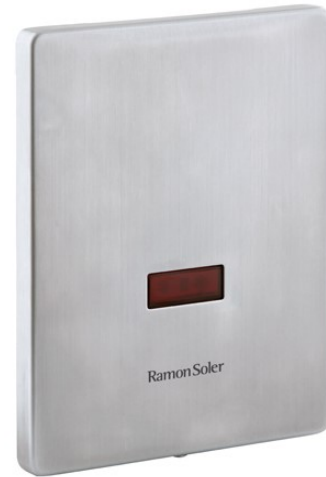
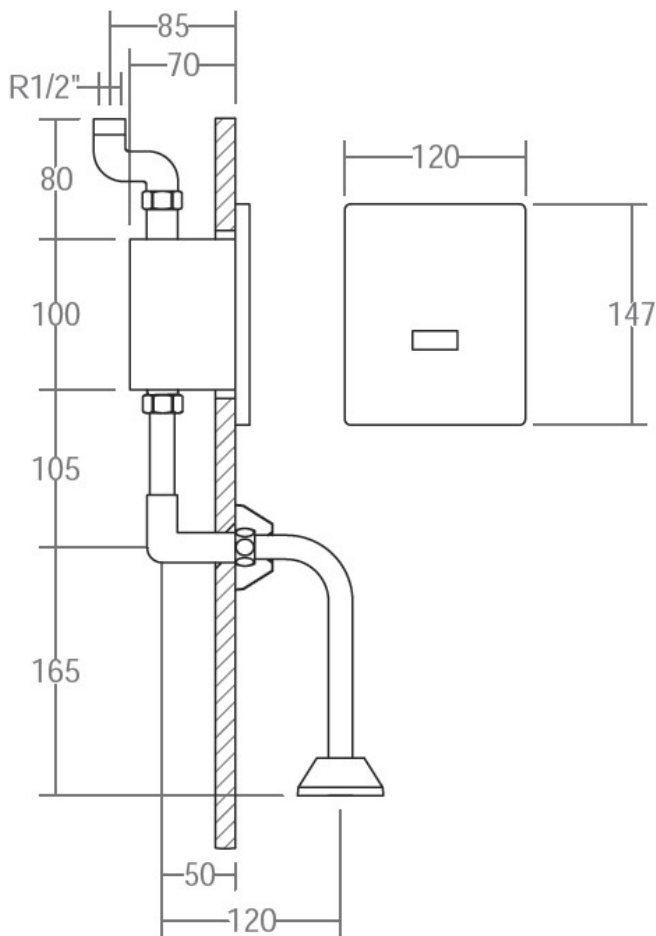




SPECIFICATION SHEET



| | |
|---------------------|---|
| Manufacturer | RAMON SOLER-SPAIN |
| Model | SOLTRONIC |
| Description | WALL-MOUNTED CONCEALED ELECTRONIC FLUSHOMETER FOR URINALS |
| Finish | CHROME |
| Article Code | 8113 |