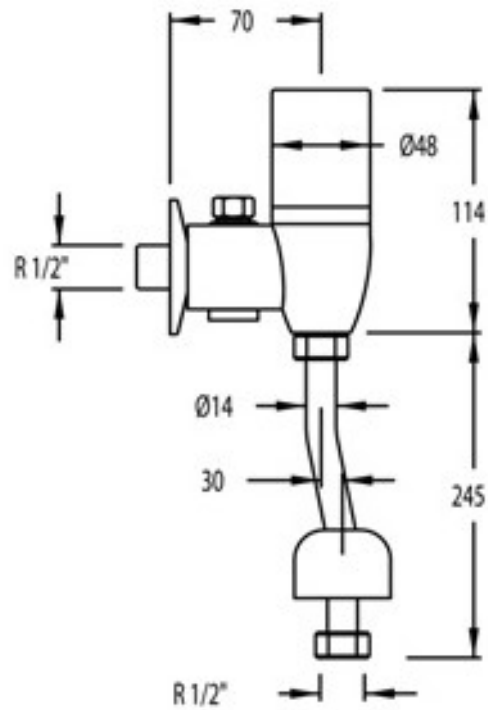




SPECIFICATION SHEET



Manufacturer	RAMON SOLER-SPAIN
Model	SOLTRONIC
Description	ELECTRONIC FLUSHING SYSTEM FOR URINAL
Finish	CHROME
Article Code	8105