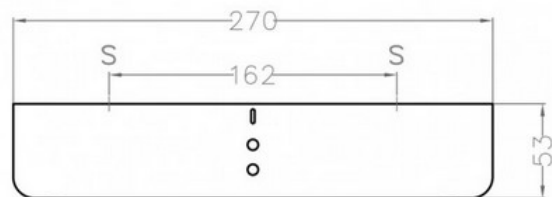
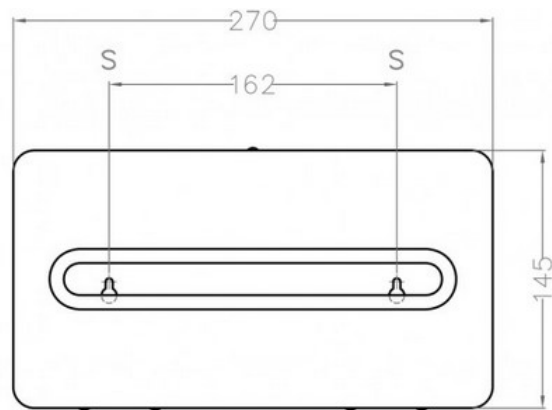




SPECIFICATION SHEET



Manufacturer	MEDICLINICS-SPAIN
Model	MEDICROM
Description	FACIAL TISSUE DISPENSER
Finish	CHROME BRASS
Article Code	AC0083C