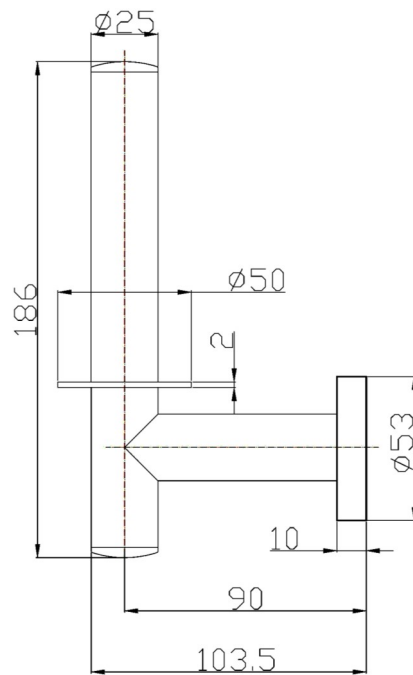




SPECIFICATION SHEET



Manufacturer	MEDICLINICS-SPAIN
Model	MEDICROM
Description	SPARE TOILET ROLL HOLDER
Finish	CHROME BRASS
Article Code	AC0970C