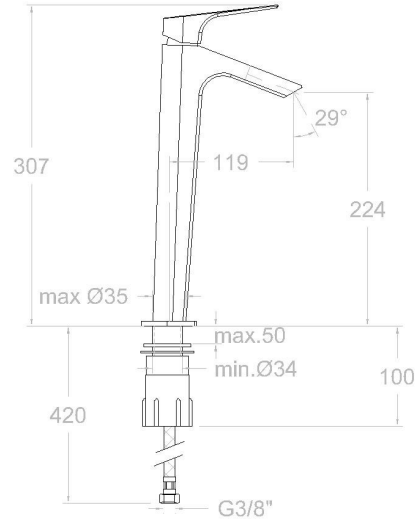




SPECIFICATION SHEET



Composition and spare parts :

- ◆ I Handle: 2100-25 (AAZ302591)
- ◆ I Index: DT1-CN (252825)
- ◆ I Cartridge nut cover: 4970 (252843)
- ◆ I Cartridge nut: TSC255 (AAZ302608)
- ◆ I Cartridge: 25000-2 (214341)
- ◆ I Aerator: 1596 (AAZ302594)
- ◆ I Base: 213002 (AAZ302607)
- ◆ I Accessory bag: BAC211001 (AAZ300626)
- ◆ I Flexible hose: 239 (AAZ301713)

Tests :

- ◆ Water tightness, flow rate, mechanical behavior under pressure, mechanical resistance, dimensional, acoustical and corrosion test according to european standards EN 817 and EN 248.

Technical Characteristics :

- ◆ Ceramic cartridge Ø25 mm.
- ◆ Flow rate at 3 bar: 6 l/min.
- ◆ Thermal shock resistant and anti-Legionella chemical.
- ◆ Chromed surface: 15 microns thick of nickel and 0.3 microns thick of chrome.
- ◆ Guarantee of 5 year for tapware and 2 years for accessories.
- ◆ Use pressure between 1-5 bar. Recommended pressure 3 bar.
- ◆ Resists static pressure ? 10 bar and water hammer up to 25 bar.
- ◆ 3 bar acoustic level
- ◆ Comfort benefits of fidelity, sensibility and constancy in temperature selection.
- ◆ Recommended temperature for hot water: 55°C. Maximum temperature of use: 65°C up to 1 hour at 90°C.
- ◆ Attenuating system for water outlet force.

MANUFACTURER	RAMON SOLER - SPAIN
MODEL	URBAN CHIC
DESCRIPTION	ONE HOLE DINGLE LEVER HIGH WASH BASIN MIXER WITH 2 FLEXIBLE HOSE
FINISH	CHROME
CODE	211001