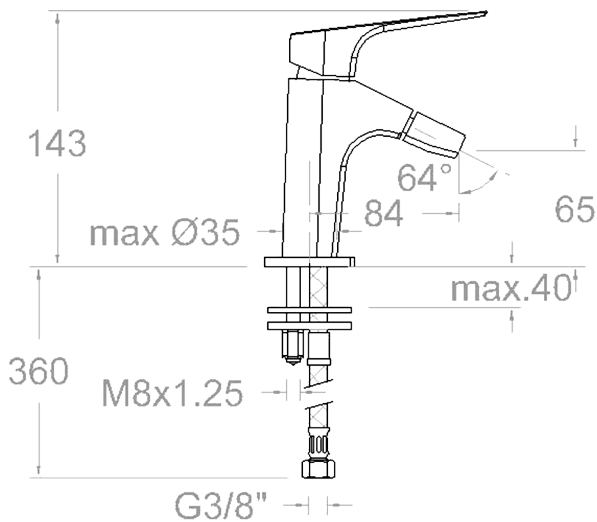




## SPECIFICATION SHEET



### Technical Characteristics :

- ◆ Ceramic cartridge  $\varnothing 35$  mm
- ◆ Thermostatic cartridge with a hot block system for anti-scald protection and a thermostat system for locking the temperature at  $38^{\circ}$ .
- ◆ Delivery at 3 bar 6 l / min.
- ◆ Noise level at 3 bar:  $<20$  dB.
- ◆ Chrome plated brass: 15 micron nickel, 0.3 micron chrome.
- ◆ Resistant to static pressure  $\leq 10$  bar and water hammer 25 bar.
- ◆ Recommended hot water temperature  $55^{\circ}$  C. Maximum use temperature  $65^{\circ}$  C. Maximum 1 h at  $90^{\circ}$  C.
- ◆ Use a pressure between 1-5 bar. 3 bars recommended.
- ◆ 5 years warranty for faucets and 2 years for accessories
- ◆ Patented water management system.

### MANUFACTURER

RAMON SOLER - SPAIN

### MODEL

URBAN CHIC

### DESCRIPTION

ONE HOLE SINGLE LEVER BIDET MIXER WITH 2 FLEXIBLE HOSE

### FINISH

CHROME

### CODE

210301