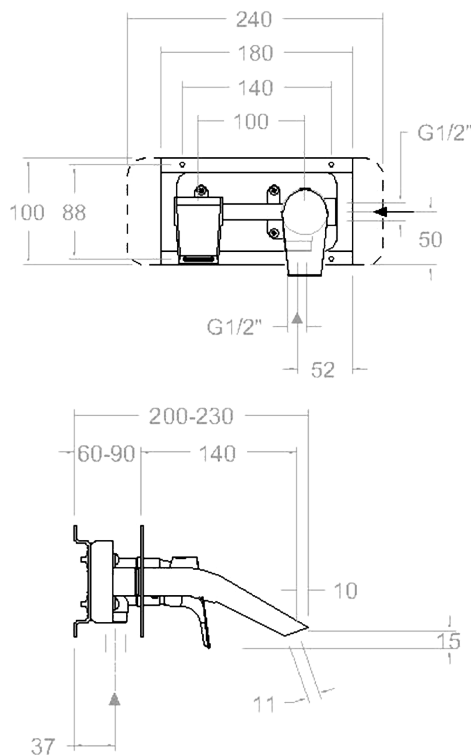
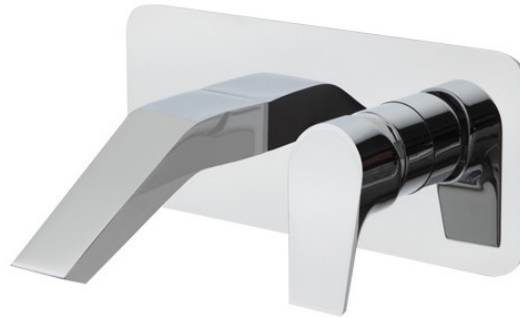




SPECIFICATION SHEET



Technical Characteristics :

- ◆ Ceramic cartridge
- ◆ K cartridge : 35100-2
- ◆ Thermostatic cartridge with a hot block system to prevent scalding and a thermostat system to lock the temperature at 38 °.
- ◆ Delivery at 3 bar 7 l / min.
- ◆ Noise level at 3 bar: <20 dB.
- ◆ Chrome plated brass: 15 micron nickel, 0.3 micron chrome.
- ◆ Resistant to static pressure \leq 10 bar and water hammer 25 bar.
- ◆ Recommended hot water temperature 55 °C. Maximum use temperature 65 °C. Maximum 1 h at 90 °C.
- ◆ Use a pressure between 1-5 bar. 3 bars recommended.
- ◆ 5 years warranty for faucets and 2 years for accessories
- ◆ Patented water management system

MANUFACTURER	RAMON SOLER - SPAIN
MODEL	URBAN CHIC
DESCRIPTION	CONCEALED WASH BASIN MIXER
FINISH	CHROME
CODE	212001