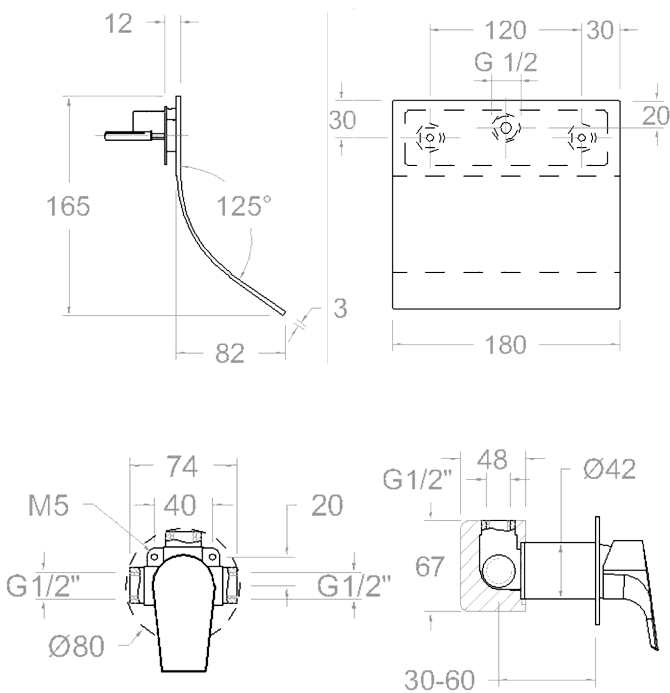




SPECIFICATION SHEET



Technical Characteristics :

- ◆ Ceramic cartridge Ø42 mm
- ◆ K cartridge : 35100
- ◆ Thermostatic cartridge with a hot block system to protect against scalding and a thermostat system to lock the temperature at 38 °.
- ◆ Delivery at 3 bar 7 l / min.
- ◆ Noise level at 3 bar: <20 dB.
- ◆ Chrome plated brass: nickel 15 microns thick, chrome 0.3 microns thick.
- ◆ Resistant to static pressure ≤ 10 bar and water hammer 25 bar.
- ◆ Recommended hot water temperature 55 °C. Maximum use temperature 65 °C. Maximum 1 h at 90 °C.
- ◆ Use a pressure between 1-5 bar. 3 bars recommended.
- ◆ 5 years warranty for faucets and 2 years for accessories
- ◆ Patented water management system.

MANUFACTURER

RAMON SOLER - SPAIN

MODEL

URBAN CHIC

DESCRIPTION

CONCEALED WASH BASIN MIXER WITH CASCADE SPOUT

FINISH

CHROME

CODE

211691