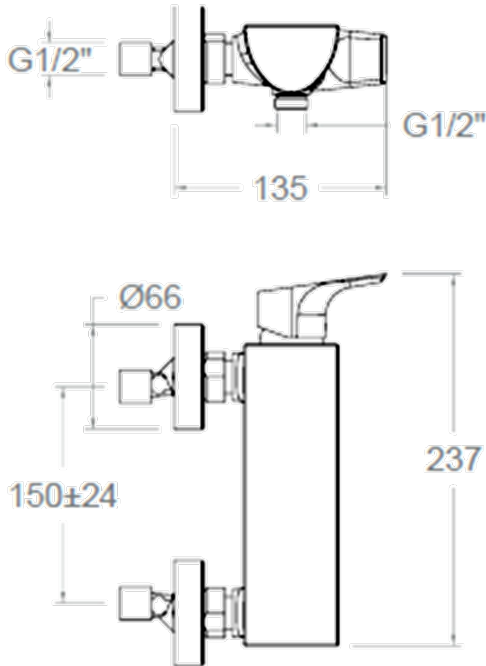




SPECIFICATION SHEET



Technical Characteristics :

- ◆ Ceramic cartridge.
- ◆ K cartridge : 35000 + 4004.
- ◆ Thermostatic cartridge with a hot block system to prevent scalding and a thermostat system to lock the temperature at 38 °.
- ◆ Delivery at 3 bar 20 l / min.
- ◆ Noise level at 3 bar: <20 dB.
- ◆ Chrome plated brass: nickel 15 microns thick, chrome 0.3 microns thick.
- ◆ Resistant to static pressure \leq 10 bar and water hammer 25 bar.
- ◆ Recommended hot water temperature 55 °C. Maximum use temperature 65 °C. Maximum 1 h at 90 °C.
- ◆ Use a pressure between 1-5 bar. 3 bars recommended.
- ◆ 5 years warranty for faucets and 2 years for accessories
- ◆ Patented water management system. .

MANUFACTURER
MODEL
DESCRIPTION
FINISH
CODE

RAMON SOLER - SPAIN
URBAN CHIC
WALL MOUNTED SHOWER MIXER WITH SAFETY GLASS WITHOUT KIT SHOWER.
CHROME
210801S