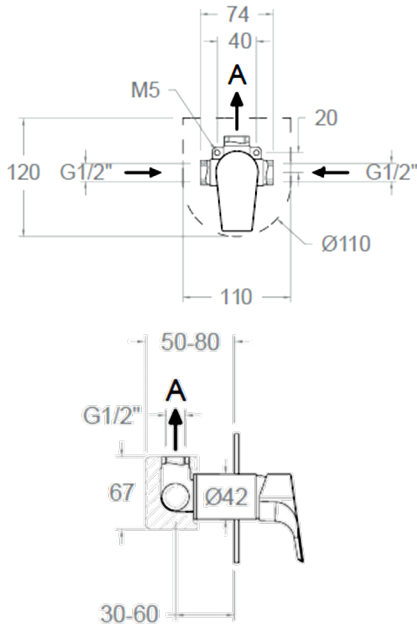




SPECIFICATION SHEET



XX1801	1 bar	3 bar	5 bar
A l/min	17	26	31
KIT DE AMPLIACIÓN - EXTENSION SET: KA1V			



Technical Characteristics :

- ◆ Ceramic cartridge Ø42 mm.
- ◆ K cartridge : 35100 (6689-2).
- ◆ Thermostatic cartridge with hot block system to prevent scalding and thermostat system to lock temperature at 38 °.
- ◆ Delivery at 3 bar 26 l / min.
- ◆ Noise level at 3 bar: <20 dB.
- ◆ Chrome plated brass: nickel 15 microns thick, chrome 0.3 microns thick.
- ◆ Resistant to static pressure ≤ 10 bar and water hammer 25 bar.
- ◆ Recommended hot water temperature 55 ° C. Maximum use temperature 65 ° C. Maximum 1 h at 90 ° C.
 - * Use a pressure between 1-5 bar. 3 bars recommended.
 - * 5 years warranty for faucets and 2 years for accessories
 - * Patented water management system.

MANUFACTURER	RAMON SOLER - SPAIN
MODEL	URBAN CHIC
DESCRIPTION	SINGLE LEVER 1 WAY BUILT-IN SHOWER MIXER WITH STAINLESS STEEL PLATE, WITHOUT KIT SHOWER
FINISH	CHROME
CODE	211801S