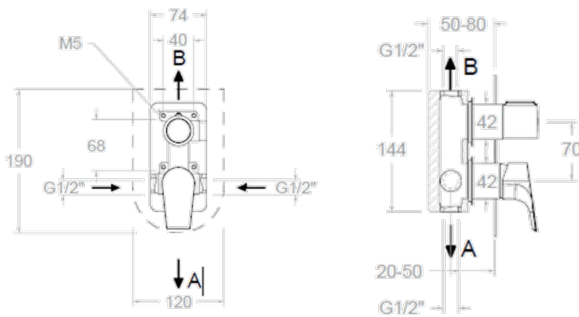




## SPECIFICATION SHEET



XX1502	1 bar	3 bar	5 bar
A l/min	14	24	30
B l/min	13	22	29
KIT DE AMPLIACIÓN - EXTENSION SET: KA2V			



### Technical Characteristics :

- ◆ Ceramic cartridge Ø42 mm.
- ◆ K cartridge : 35100 (6689-2).
- ◆ Thermostatic cartridge with hot block system to prevent scalding and thermostat system to lock temperature at 38 °.
- ◆ Delivery at 3 bar 26 l / min.
- ◆ Noise level at 3 bar: <20 dB.
- ◆ Chrome plated brass: nickel 15 microns thick, chrome 0.3 microns thick.
- ◆ Resistant to static pressure ≤ 10 bar and water hammer 25 bar.
- ◆ Recommended hot water temperature 55 ° C. Maximum use temperature 65 ° C. Maximum 1 h at 90 ° C.
- \* Use a pressure between 1-5 bar. 3 bars recommended.
- \* 5 years warranty for faucets and 2 years for accessories
- \* Patented water management system.

<b>MANUFACTURER</b>	RAMON SOLER - SPAIN
<b>MODEL</b>	URBAN CHIC
<b>DESCRIPTION</b>	SINGLE LEVER 2 WAY BUILT-IN SHOWER MIXER WITH METALIC PLATE WITHOUT SHOWER KIT
<b>FINISH</b>	<b>CHROME</b>
<b>CODE</b>	<b>211502S</b>