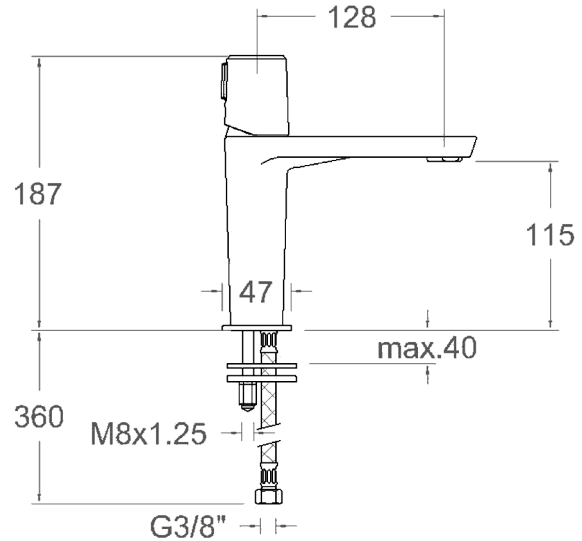




## SPECIFICATION SHEET



### Composition and spare parts :

- ◆ Handle: 3400-35NM (34Z303041)
- ◆ Index: DT1-NMN (AAZ303182)
- ◆ Cartridge nut cover: 4980NM (AAZ303179)
- ◆ Cartridge nut: TSC351 (250863)
- ◆ Limiter ring: ALT350 (300062)
- ◆ Cartridge: 35100-3 (AAZ300855)
- ◆ Aerator: 1516 (239469)
- ◆ Base: 3630NM (36Z303176)
- ◆ Accessory bag: BMA (187080)
- ◆ Flexible hose: 237 (AAZ300858)

### Tests :

- ◆ Water tightness, flow rate, mechanical behavior under pressure, mechanical resistance, dimensional, acoustical and corrosion test according to European standards EN 817 and EN 248.

### Technical Characteristics :

- ◆ Ceramic cartridge  $\varnothing 35$  mm.
- ◆ Water saving system S2 through the handle opening in two faces.
- ◆ Flow rate at 3 bar: 12 l/min.
- ◆ Thermal shock resistant and anti-Legionella chemical.
- ◆ Guarantee of 5 year for tapware and 2 years for accessories.
- ◆ Use pressure between 1-5 bar. Recommended pressure 3 bar.
- ◆ Resists static pressure  $\geq 10$  bar and water hammer up to 25 bar.
- ◆ 3 bar acoustic level
- ◆ Comfort benefits of fidelity, sensibility and constancy in temperature selection.
- ◆ Recommended temperature for hot water: 55°C. Maximum temperature of use: 65°C up to 1 hour at 90°C.
- ◆ Termostop Black system for maximum water temperature limitation. Termostop Black system for maximum water temperature limitation.

### MANUFACTURER

RAMON SOLER - SPAIN

### MODEL

TZAR

### DESCRIPTION

ONE HOLE SINGLE LEVER WASH BASIN MIXER (M) WITH 2 FLEXIBLE HOSE

### FINISH

MATT BLACK

### CODE

340401NM