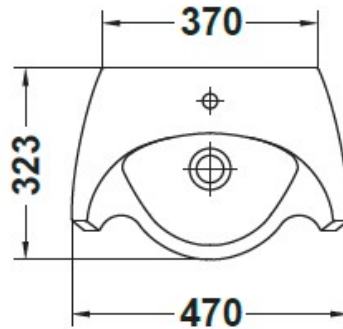
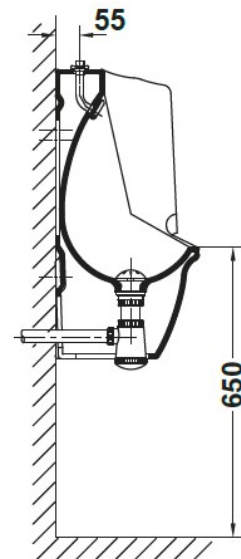
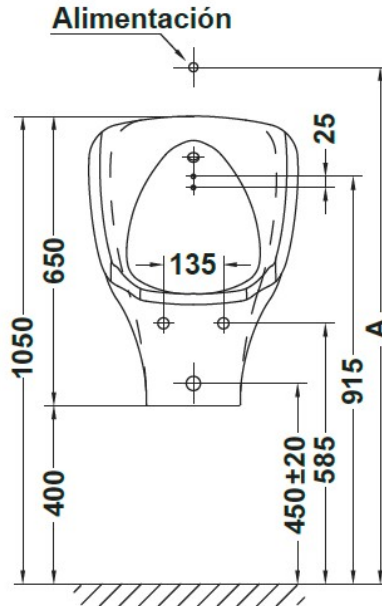




SPECIFICATION SHEET



Inlet Alimentation	A
Flush valve Fluxor	1200±20
Elbow joint Code lien	1160±20



Manufacturer	GALA GROUP OF ROCA-SPAIN
Model	ARGOS
Description	WALL MOUNTED URINAL
Finish	WHITE
Article Code	29700