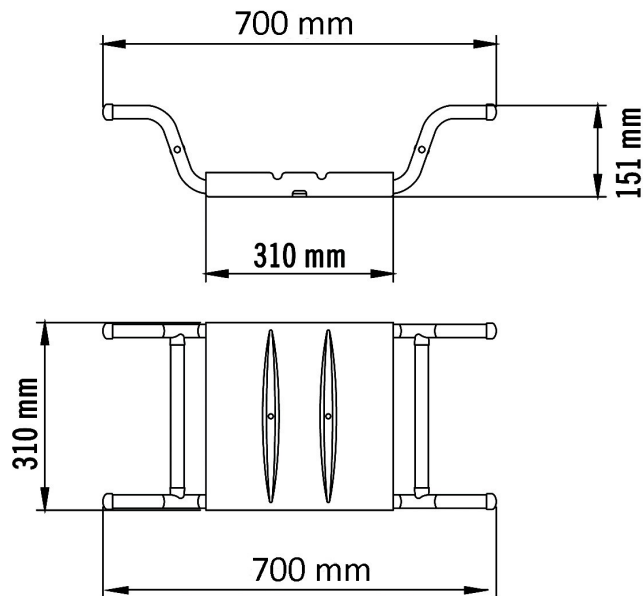




## SPECIFICATION SHEET



<b>Manufacturer</b>	MEDICLINICS-SPAIN
<b>Model</b>	BATHTUB SEAT
<b>Description</b>	REMOVABLE BATHTUB SEAT
<b>Finish</b>	WHITE STEEL
<b>Article Code</b>	G24JDS29W1