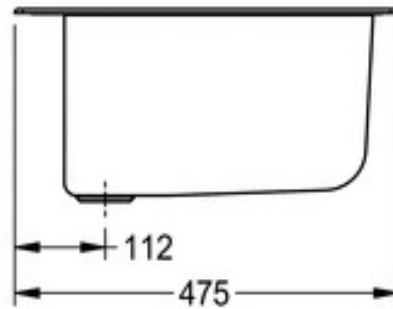
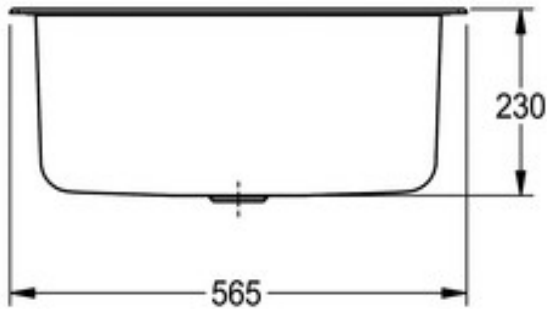
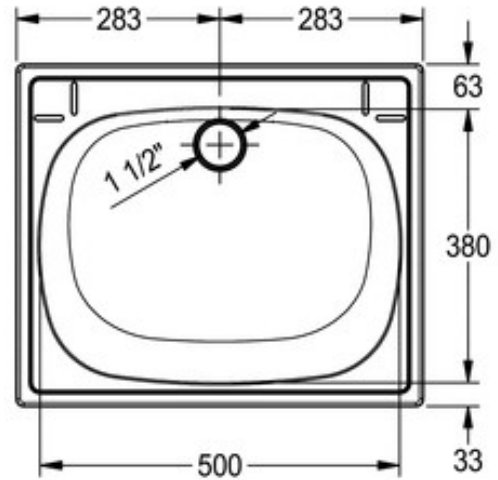




SPECIFICATION SHEET



Manufacturer	FRANKE-GERMANY
Model	SIRIUS
Description	LAUNDRY SINK (INSET MOUNTED)
Finish	ST ST
Article code	BS340