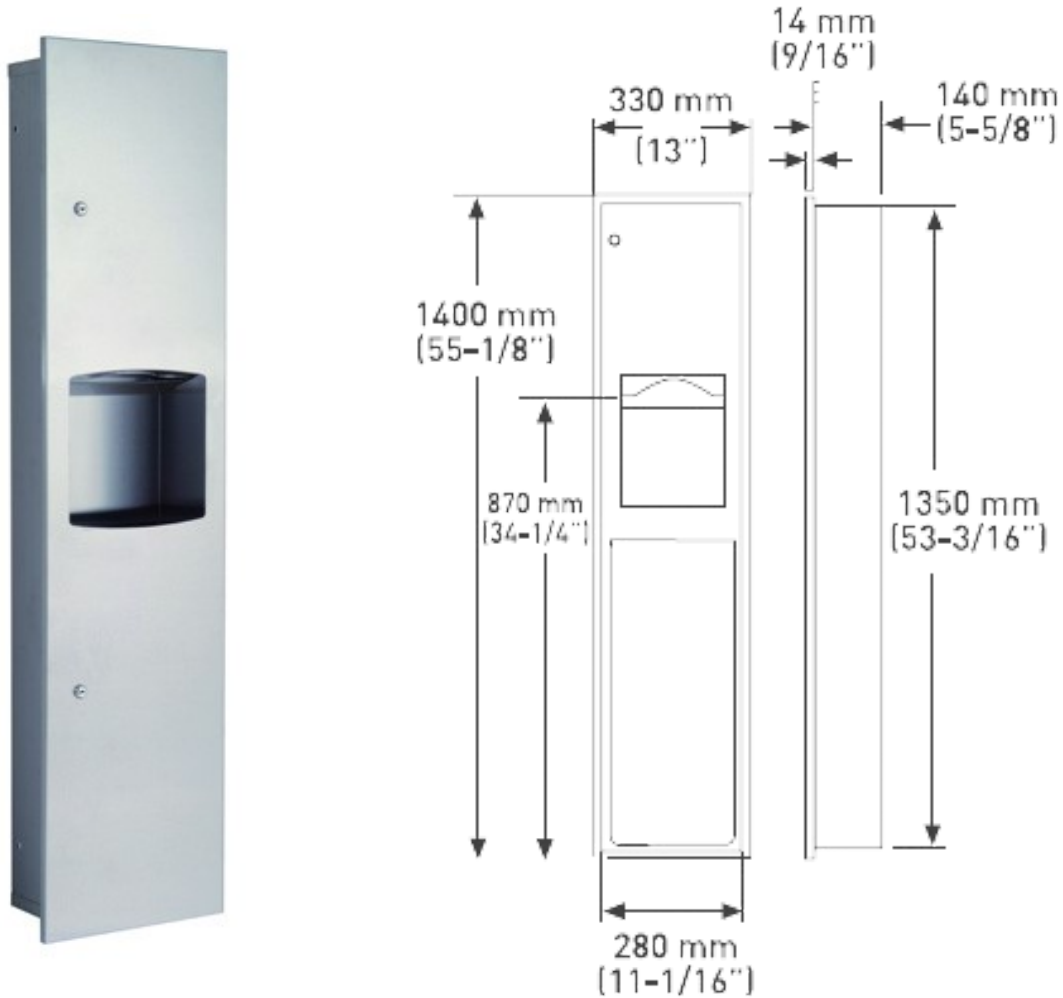




SPECIFICATION SHEET



| | |
|---------------------|---|
| Manufacturer | MEDICLINICS-SPAIN |
| Model | MULTI-PURPOSE CABINET |
| Description | RECESSED PAPER TOWEL DISPENSER WITH WASTE BIN |
| Finish | SATIN ST ST |
| Article Code | DTE0050CS |