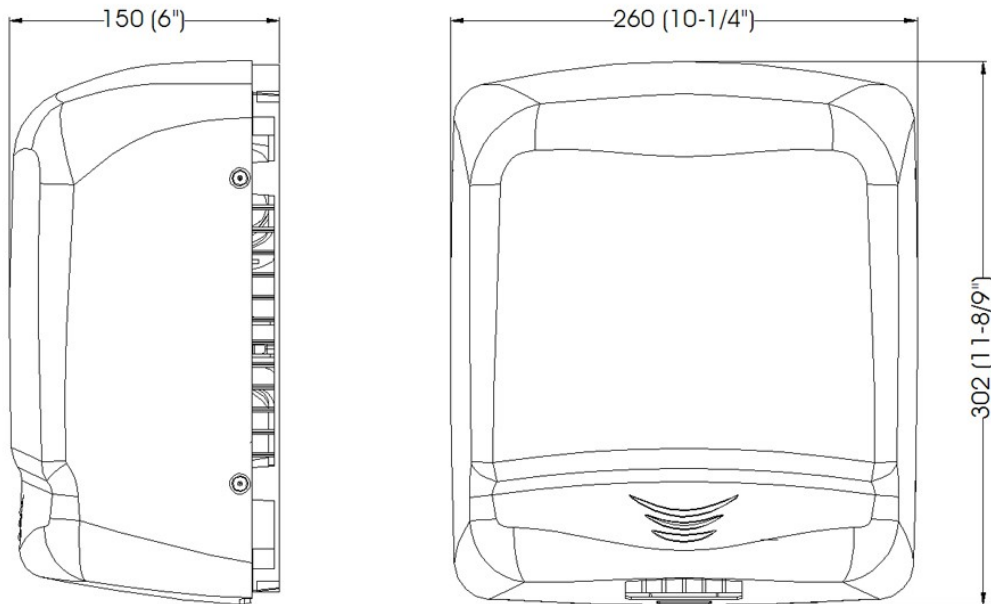




الركن الأوروبي
ش.ذ.م.م.
EUROPEAN CORNER L.L.C

Al Wadi Building, Sheikh Zayed Road
P. O. Box 31840, Dubai
United Arab Emirates
Showroom Tel: +971 4 3356315
Office Tel: +971 4 3360601
Fax: +971 4 3360604
E-mail: gm@europeancorner-dubai.com

SPECIFICATION SHEET



Manufacturer	MEDICLINICS-SPAIN
Model	OPTIMA
Description	AUTOMATIC HAND DRYER
Finish	EPOXY WHITE / BRIGHT ST ST / SATIN ST ST
Article Code	M99A / M99AC / M99ACS